

General Specifications

1&2 OUTPUT SIGNAL ISOLATOR & POWER DISTRIBUTOR 1&2出力 信號絕緣 變換器 & 傳送器用 電源



This instrument is a POWER DISTRIBUTOR output from a slim socket type 1 & 2 output that supplies the power to various 2-wire transmitters and converts 4 to 20mA signals from the return loop into various DC signals. It can also be used as an ISOLATOR. The mounting method is DIN rail mounting.

SPECIFICATIONS

ITEMS	DESCRIPTIONS
INPUT SIGNAL	4~20mA DC (2-Wire DC24V)
INPUT RESISTANCE	250Ω
OUTPUT RATING SUPPLY TO XTR	DC 24V 35mA Max. Ripple : less than 0.25Vp-p DC19~24V (0~100% LOAD)
OUTPUT SIGNAL	DC Current or DC Voltage signal
ACCURACY	±0.1% Max.
TEMP. COEFFICIENT	±0.015% / °C
RESPONSE TIME	Less than 100msec (0~90%)
INSULATION RESISTANCE	Greater than 100MΩ at DC 500V
DIELECTRIC - STRENGTH	Input - Power AC 1,500V 1 Minute
	Input - Output1 - Output2 AC 1,500V (Cutoff current 1mA)
POWER SUPPLY	Output1 - Output2 AC 1,000V
	AC 85 ~ 264V (Rating 100~240V) ,50 ~ 60Hz DC24V ± 10%
POWER CONSUMPTION	AC 240V : 4.6VA /1OUT, 5VA /2OUT DC24V : Less than 1.2W /1OUT, Less than 1.7W /2OUT
AMBIENT - TEMP	-5 ~ +55°C (23 ~ 131 °F)
HUMIDITY	Less than 90% RH (no condensation)
CASE MATERIAL	ABS Resin
COLOR	Black
WEIGHT	About 150g
DIMENSION	W29.5 X H88 X D124mm
MOUNTING	DIN RAIL
CONNECTION	M3 Screw terminal (torque 0.8 N.m)
TERMINAL SCREWS	Chromated steel

ORDERING CODE

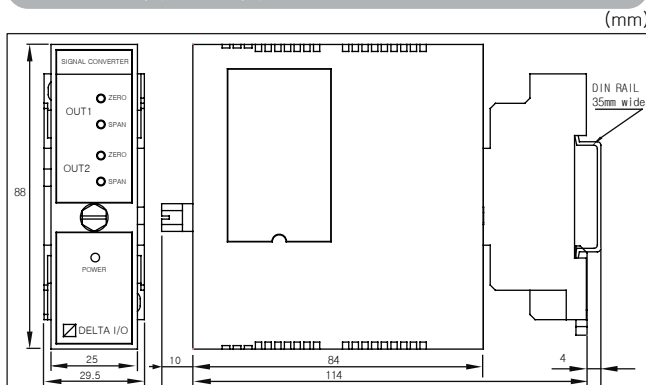
MODEL : DNIP -

- INPUT SIGNAL 4~20mA DC (2-Wire DC24V)
- OUTPUT1 SIGNAL
 - 1. 0~1mA DC
 - 2. 0~10mA DC
 - 3. 0~16mA DC
 - 4. 0~20mA DC
 - 5. 1~5mA DC
 - 6. 2~10mA DC
 - 7. 4~20mA DC
 - 0. Other Current (Less than 20mA)
 - A. 0~10mV DC
 - B. 0~100mV DC
 - C. 0~1V DC
 - D. 0~5V DC
 - E. 0~10V DC
 - F. 1~5V DC
 - Z. Other Voltage (Less than 12V)
- OUTPUT2 SIGNAL
 - N. None
 - Same Range Available as OUTPUT 1
- POWER SUPPLY
 - 1. AC 85V~264V
 - 2. DC 24V

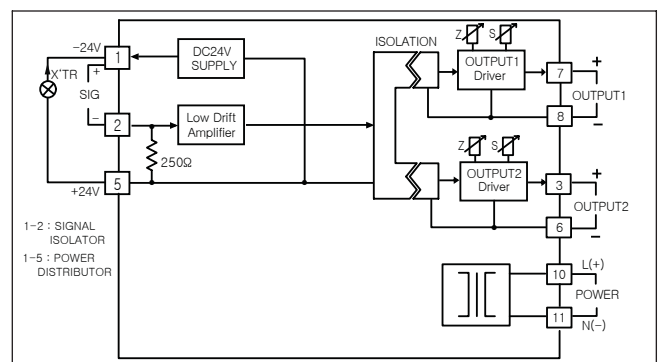
OUTPUT LOAD RESISTANCE

OUTPUT SIGNAL	LOAD RESISTANCE
DC 4~20mA	600Ω Max.
DC 1~5V	More than 2.5KΩ
DC 0~10V	More than 5KΩ

DIMENSION



BLOCK DIAGRAM



General Specifications

1&2 OUTPUT THERMOCOUPLE CONVERTER

1&2出力 熱電對 變換器



This instrument is a slim socket type Thermocouple Converter with 1&2 outputs that input various thermocouple types to convert to isolated DC signals.
The mounting method is DIN rail mounting.

SPECIFICATIONS

ITEMS	DESCRIPTIONS		
INPUT	Thermocouple (K, J, T, E, B, R, S, N, U, L)		
BURN - OUT	Up / Down scale		
OUTPUT	DC Current or DC Voltage signal		
ACCURACY	±0.3% Max.		
TEMP. COEFFICIENT	±0.02% / °C		
RESPONSE TIME	Less than 150msec (0~90%)		
INSULATION RESISTANCE	Greater than 100MΩat DC 500V		
DIELECTRIC - STRENGTH	Power-Input, Output1, 2	AC 1,500V	1 Minute
	Input - Output1 - Output2	AC 1,500V	(Cutoff current
	Input1 - Output2	AC 1,000V	1mA)
POWER SUPPLY	AC 85 ~ 264V(Rating 100~240V) ,50 ~ 60Hz DC24V ± 10%		
POWER CONSUMPTION	AC 85 ~ 264V : 4VA /1OUT, 5VA /2OUT DC24V : 1.6W /1OUT, 2.2W /2OUT		
AMBIENT - TEMP	-5 ~ +55°C (23 ~ 131 °F)		
HUMIDITY	Less than 90% RH (no condensation)		
CASE MATERIAL	ABS Resign		
COLOR	Black		
WEIGHT	About 160g		
DIMENSION	W29.5 X H88 X D124mm		
MOUNTING	DIN RAIL		
CONNECTION	M3 Screw terminal (torque 0.8 N.m)		
TERMINAL SCREWS	Chromated steel		

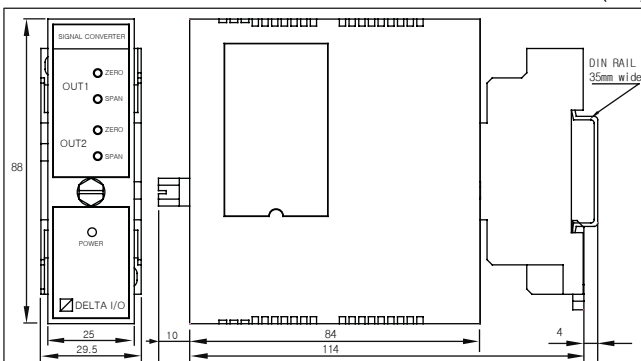
STANDARD INPUT RANGE

(UNIT : °C)

INPUT	RANGE	INPUT	RANGE
K	-200~1370	R, S	0~1768
J	-200~1200	N	0~1300
T	-200~400	U	0~400
E	0~1000	L	0~800
B	600~1820		

DIMENSION

(mm)



ORDERING CODE

MODEL : DNTC - [] [] [] - [] / []

INPUT SIGNAL

- 1. K(CA)
- 2. J(IC)
- 3. T(CC)
- 4. E(CRC)
- 5. B
- 6. S
- 7. R
- 8. Other Thermocouple

OUTPUT1 SIGNAL

- 1. 0~1mA DC
- 2. 0~10mA DC
- 3. 0~16mA DC
- 4. 0~20mA DC
- 5. 1~5mA DC
- 6. 2~10mA DC
- 7. 4~20mA DC
- 0. Other Current (Less than 20mA)
- A. 0~10mV DC
- B. 0~100mV DC
- C. 0~1V DC
- D. 0~5V DC
- E. 0~10V DC
- F. 1~5V DC
- Z. Other Voltage (Less than 12V)

OUTPUT2 SIGNAL

- N. None
- Same Range Available as OUTPUT 1

POWER SUPPLY

- 1. AC 85V~264V
- 2. DC 24V

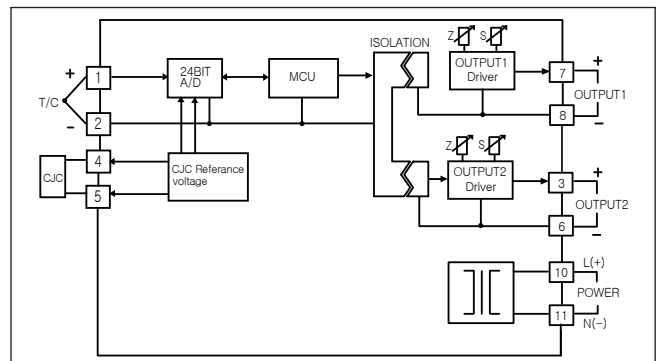
BURN OUT

- U. Up scale
- D. Down scale

OUTPUT LOAD RESISTANCE

OUTPUT SIGNAL	LOAD RESISTANCE
DC 4~20mA	Less than 600Ω
DC 1~5V	More than 2.5KΩ
DC 0~10V	More than 5KΩ

BLOCK DIAGRAM



General Specifications

1&2 OUTPUT SIGNAL ISOLATOR

1&2出力 信號絕緣 變換器



This instrument is a SIGNAL ISOLATOR of the slim socket type 1 & 2 output that converts direct current or DC voltage signals into various isolated DC signals. The mounting method is DIN rail mounting.

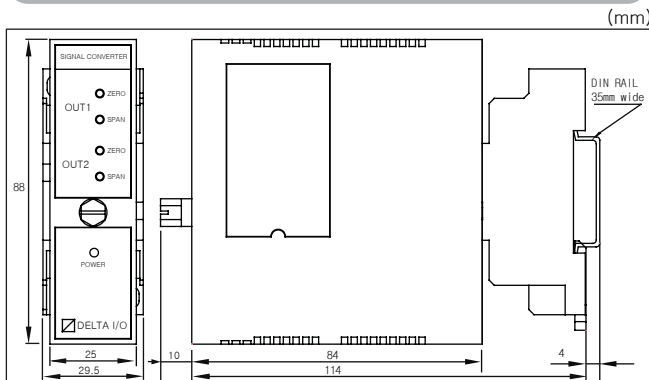
SPECIFICATIONS

ITEMS	DESCRIPTIONS
INPUT SIGNAL	DC Current or DC Voltage signal
INPUT RESISTANCE	DC4~20mA : 250Ω, DC1~5V : 1MΩ
OUTPUT SIGNAL	DC Current or DC Voltage signal
ACCURACY	±0.1% Max.
TEMP. COEFFICIENT	±0.015% / °C
RESPONSE TIME	Less than 200msec (0~90%)
INSULATION RESISTANCE	Greater than 100MΩ at DC 500V (IN-OUT-POWER)
DIELECTRIC - STRENGTH	Power-Input, output1,2 AC 1,500V 1 Minute
	Input-Output1-Output2 AC 1,500V (Cutoff current 1mA)
	Output1-Output2 AC 1,000V
POWER SUPPLY	AC 85 ~ 264V (Rating 100~240V), 50 ~ 60Hz DC24V ± 10%
POWER CONSUMPTION	AC 240V : 3.6VA /1OUT, 4VA /2OUT DC24V : Less than 1W /1OUT, Less than 1.5W /2OUT
AMBIENT - TEMP	-5 ~ +55°C (23 ~ 131 °F)
HUMIDITY	Less than 90% RH (no condensation)
CASE MATERIAL	ABS Resin
COLOR	Black
WEIGHT	About 150g
DIMENSION	W29.5 X H88 X D124mm
MOUNTING	DIN RAIL
CONNECTION	M3 Screw terminal (torque 0.8 N.m)
TERMINAL SCREWS	Chromated steel

OUTPUT LOAD RESISTANCE

OUTPUT SIGNAL	LOAD RESISTANCE
DC 4~20mA	600Ω Max.
DC 1~5V	More than 2.5KΩ
DC 0~10V	More than 5KΩ

DIMENSION



ORDERING CODE

MODEL : DNSI - [] [] [] - []

INPUT SIGNAL

- | | |
|------------------|-----------------------|
| 1. 0~1mA DC | A. 0~10mV DC |
| 2. 0~10mA DC | B. 0~100mV DC |
| 3. 0~16mA DC | C. 0~1V DC |
| 4. 0~20mA DC | D. 0~5V DC |
| 5. 1~5mA DC | E. 0~10V DC |
| 6. 2~10mA DC | F. 1~5V DC |
| 7. 4~20mA DC | Z. Other Voltage |
| 0. Other Current | (Input voltage range) |

OUTPUT1 SIGNAL

- | | |
|------------------|------------------|
| 1. 0~1mA DC | A. 0~10mV DC |
| 2. 0~10mA DC | B. 0~100mV DC |
| 3. 0~16mA DC | C. 0~1V DC |
| 4. 0~20mA DC | D. 0~5V DC |
| 5. 1~5mA DC | E. 0~10V DC |
| 6. 2~10mA DC | F. 1~5V DC |
| 7. 4~20mA DC | Z. Other Voltage |
| 0. Other Current | (Less than 12V) |

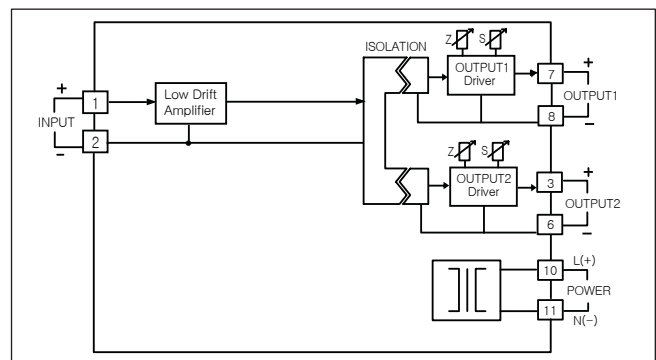
OUTPUT2 SIGNAL

- N. None
Same Range Available as OUTPUT 1

POWER SUPPLY

1. AC 85V~264V 2. DC 24V

BLOCK DIAGRAM



General Specifications

1&2 OUTPUT REVERSE CONVERTER

1&2出力 逆信號 變換器



This instrument is a REVERSE CONVERTER of the slim socket type 1 & 2 output that converts DC current or voltage signals to various DC signals of reverse characteristics. The mounting method is DIN rail mounting.

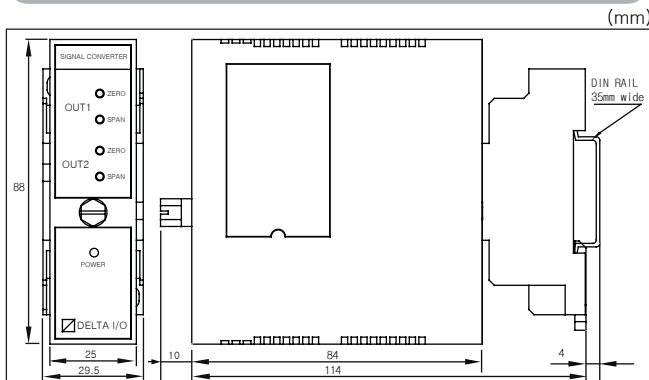
SPECIFICATIONS

ITEMS	DESCRIPTIONS
INPUT SIGNAL	DC Current or DC Voltage signal
INPUT RESISTANCE	DC4~20mA : 250Ω, DC1~5V : 1MΩ
OUTPUT SIGNAL	DC Current or DC Voltage signal
ACCURACY	±0.1% Max.
TEMP. COEFFICIENT	±0.015% / °C
RESPONSE TIME	Less than 200msec (0~90%)
INSULATION RESISTANCE	Greater than 100MΩ at DC 500V (IN-OUT-POWER)
DIELECTRIC - STRENGTH	Power-Input, output1,2 AC 1,500V 1 Minute
	Input-Output1-Output2 AC 1,500V (Cutoff current
	Output1-Output2 AC 1,000V 1mA)
POWER SUPPLY	AC 85 ~ 264V(Rating 100~240V) ,50 ~ 60Hz DC24V ± 10%
POWER CONSUMPTION	AC 240V : 3.6VA /1OUT, 4VA /2OUT DC24V : Less than 1W /1OUT, Less than 1.5W /2OUT
AMBIENT - TEMP	-5 ~ +55°C (23 ~ 131 °F)
HUMIDITY	Less than 90% RH (no condensation)
CASE MATERIAL	ABS Resin
COLOR	Black
WEIGHT	About 150g
DIMENSION	W29.5 X H88 X D14mm
MOUNTING	DIN RAIL
CONNECTION	M3 Screw terminal (torque 0.8 N.m)
TERMINAL SCREWS	Chromated steel

OUTPUT LOAD RESISTANCE

OUTPUT SIGNAL	LOAD RESISTANCE
DC 4~20mA	600Ω Max.
DC 1~5V	More than 2.5KΩ
DC 0~10V	More than 5KΩ

DIMENSION



ORDERING CODE

MODEL : DNRC - [] [] [] - []

INPUT SIGNAL

- | | |
|------------------|-----------------------|
| 1. 0~1mA DC | A. 0~10mV DC |
| 2. 0~10mA DC | B. 0~100mV DC |
| 3. 0~16mA DC | C. 0~1V DC |
| 4. 0~20mA DC | D. 0~5V DC |
| 5. 1~5mA DC | E. 0~10V DC |
| 6. 2~10mA DC | F. 1~5V DC |
| 7. 4~20mA DC | Z. Other Voltage |
| 0. Other Current | (Input voltage range) |

OUTPUT1 SIGNAL

- | | |
|------------------|------------------|
| 1. 1~0mA DC | A. 10~0mV DC |
| 2. 10~0mA DC | B. 100~0mV DC |
| 3. 16~0mA DC | C. 1~0V DC |
| 4. 20~0mA DC | D. 5~0V DC |
| 5. 5~1mA DC | E. 10~0V DC |
| 6. 10~2mA DC | F. 5~1V DC |
| 7. 20~4mA DC | Z. Other Voltage |
| 0. Other Current | (Less than 12V) |

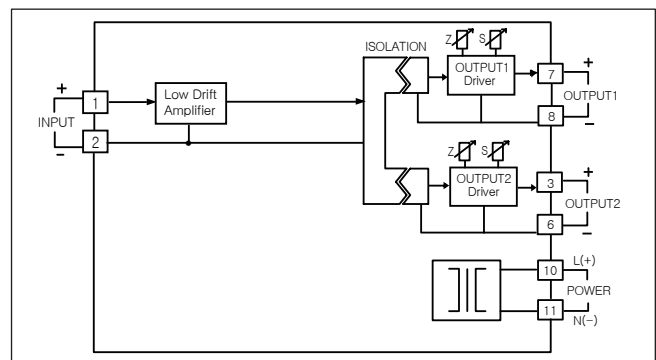
OUTPUT2 SIGNAL

- N. None
Same Range Available as OUTPUT 1

POWER SUPPLY

1. AC 85V~264V 2. DC 24V

BLOCK DIAGRAM



General Specifications

1&2 OUTPUT R.T.D CONVERTER

1&2出力 測溫抵抗體 變換器



This instrument is a slim socket type RTD Converter of 1&2 output that converts the output into an isolated DC voltage and current signal by inputting a temperature resistance (RTD). The mounting method is DIN rail mounting

SPECIFICATIONS

ITEMS	DESCRIPTIONS		
INPUT	Pt 100Ω 3-Wire, JPt 100Ω 3-Wire		
Supply current to Pt bulb	Approx. DC 1mA		
Maximum leadwire resistance	Less than 10Ω per wire		
BURN - OUT	Up / Down scale		
OUTPUT	DC Current or DC Voltage signal		
ACCURACY	±0.2% Max.		
TEMP. COEFFICIENT	±0.02% / °C		
RESPONSE TIME	Less than 150msec (0~90%)		
INSULATION RESISTANCE	Greater than 100MΩat DC 500V		
DIELECTRIC - STRENGTH	Power-Input, Output1, 2	AC 1,500V	1 Minute (Cutoff current 1mA.)
	Input - Output1 - Output2	AC 1,500V	
	Input1 - Output2	AC 1,000V	
POWER SUPPLY	AC 85 ~ 264V(Rating 100~240V), 50 ~ 60Hz DC24V ± 10%		
POWER CONSUMPTION	AC 85 ~ 264V : 4VA /1OUT, 5VA /2OUT DC24V : 1.6W /1OUT, 2.2W /2OUT		
AMBIENT - TEMP	-5 ~ +55°C (23 ~ 131 °F)		
HUMIDITY	Less than 90% RH (no condensation)		
CASE MATERIAL	ABS Resign		
COLOR	Black		
WEIGHT	About 160g		
DIMENSION	W29.5 X H88 X D124mm		
MOUNTING	DIN RAIL		
CONNECTION	M3 Screw terminal (torque 0.8 N.m)		
TERMINAL SCREWS	Chromated steel		

ORDERING CODE

MODEL : DNRB - [] [] [] - [] / []

INPUT SIGNAL

- JPt 100Ω (JIS) 3-Wire
- Pt 100Ω (DIN) 3-Wire

OUTPUT1 SIGNAL

- 0~1mA DC
 - 0~10mA DC
 - 0~16mA DC
 - 0~20mA DC
 - 1~5mA DC
 - 2~10mA DC
 - 4~20mA DC
 - Other Current (Less than 20mA)
- A. 0~10mV DC
B. 0~100mV DC
C. 0~1V DC
D. 0~5V DC
E. 0~10V DC
F. 1~5V DC
Z. Other Voltage (Less than 12V)

OUTPUT2 SIGNAL

- N. None
Same Range Available as OUTPUT 1

POWER SUPPLY

- AC 85V~264V
- DC 24V

BURN OUT

- U. Up scale
D. Down scale

*Please Specify the Input Range When you order.

STANDARD INPUT RANGE

(UNIT : °C)

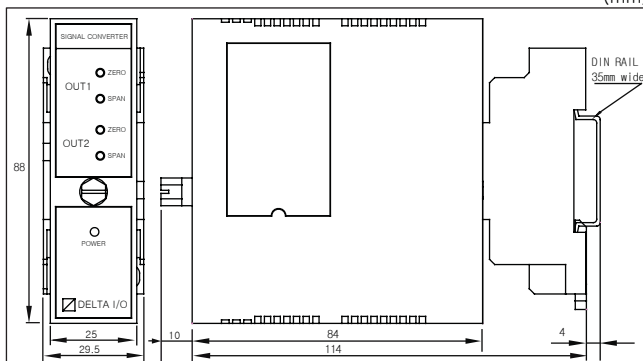
INPUT	RANGE
Pt 100Ω	-200~650
JPt 100Ω	-200~500

OUTPUT LOAD RESISTANCE

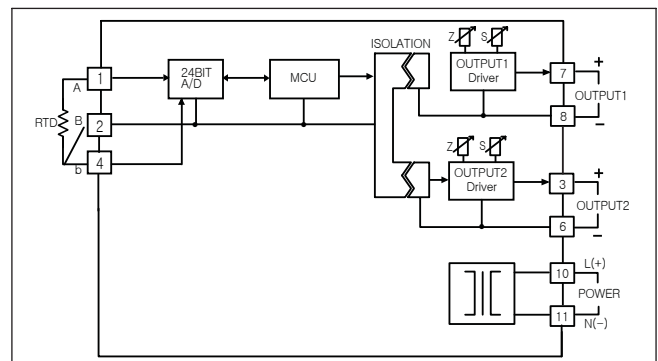
OUTPUT SIGNAL	LOAD RESISTANCE
DC 4~20mA	Less than 600Ω
DC 1~5V	More than 2.5KΩ
DC 0~10V	More than 5KΩ

DIMENSION

(mm)



BLOCK DIAGRAM



General Specifications

1&2 OUTPUT AC VOLTAGE TRANSDUCER

1&2出力 交流電壓 變換器



This instrument is a slim-socket type AC VOLTAGE TRANSDUCER that calculates the alternating voltage as an input and converts it into a DC signal and provides isolated 1&2 output. The mounting method is DIN rail mounting.

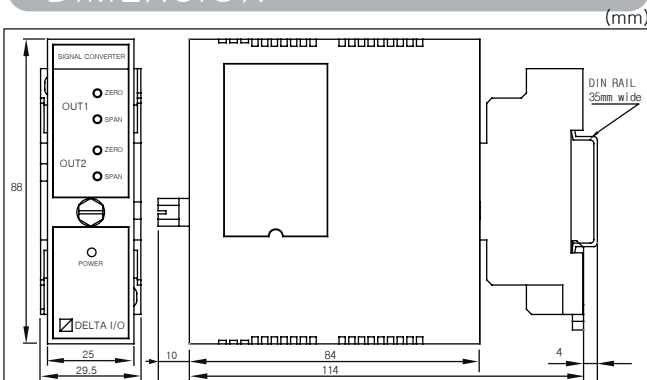
SPECIFICATIONS

ITEMS	DESCRIPTIONS
Rnage of products available	Within the range between AC 0~250V
OVERLOAD CAPACITY	120% Continuous
OUTPUT	DC Current or DC Voltage signal
ACCURACY	±0.3% Max.
TEMP. COEFFICIENT	±0.015% / °C
RESPONSE TIME	Less than 0.5Sec (0~90%)
INSULATION RESISTANCE	Greater than 100MΩ at DC 500V (IN-OUT-POWER)
DIELECTRIC - STRENGTH	Power-Input, Output1,2 AC 1,500V 1 Minute
	Input-Output1-Output2 AC 1,500V (Cutoff current
	Output1-Output2 AC1,000V 1mA)
POWER SUPPLY	AC 85~264V(Rating 100~240V), 50~60Hz DC 24V ±10%
POWER CONSUMPTION	AC240V : 1output 3.5VA DC24V : less than 1W /1out, less than 1.5W /2out
AMBIENT - TEMP	-5 ~ +55°C (23 ~ 131 °F)
HUMIDITY	Less than 90% RH (no condenstation)
CASE MATERIAL	ABS Resin
COLOR	Black
WEIGHT	About 170g
DIMENSION	W29.5 X H88 X D124mm
MOUNTING	DIN RAIL
CONNECTION	M3 Screw terminal (torque 0.8 N.m)
TERMINAL SCREWS	Chromated steel

OUTPUT LOAD RESISTANCE

OUTPUT SIGNAL	LOAD RESISTANCE
DC 4~20mA	600Ω Max.
DC 1~5V	More than 2.5KΩ
DC 0~10V	More than 5KΩ

DIMENSION



ORDERING CODE

MODEL : DNPT -

INPUT SIGNAL

1. AC 0 ~ 110V (50/60Hz)
2. AC 0 ~ 150V (50/60Hz)
3. Other Current by specified

OUTPUT1 SIGNAL

- | | |
|------------------|------------------|
| 1. 0~1mA DC | A. 0~10mV DC |
| 2. 0~10mA DC | B. 0~100mV DC |
| 3. 0~16mA DC | C. 0~1V DC |
| 4. 0~20mA DC | D. 0~5V DC |
| 5. 1~5mA DC | E. 0~10V DC |
| 6. 2~10mA DC | F. 1~5V DC |
| 7. 4~20mA DC | Z. Other Voltage |
| 0. Other Current | (Less than 12V) |
| (Less than 20mA) | |

OUTPUT2 SIGNAL

- N. None
Same Range Available as OUTPUT1

POWER SUPPLY

1. AC 85V~264V
2. DC24V

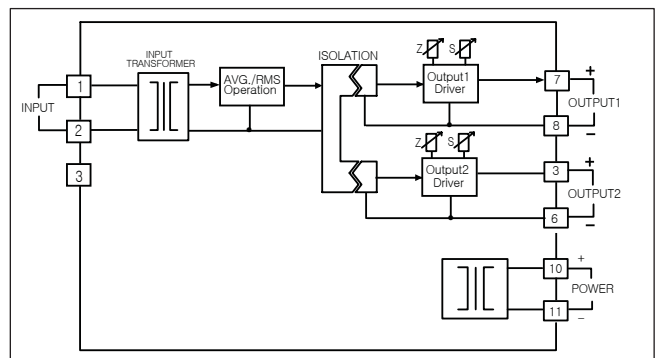
OPTION

- R. RMS Sensing
Blank. Average sensing, RMS calibrated

*DC 24V POWER : RMS Sensing only

*AC 85~264V POWER : Output1 only

BLOCK DIAGRAM



General Specifications

1&2 OUTPUT POTENTIOMETER CONVERTER

1&2出力 可變抵抗 變換器



This instrument is a 1 & 2 output slim socket type potentiometer converter that detects changes in 3-wire potentiometer resistance values and converts them to various isolated DC signals.

The mounting method is DIN rail mounting.

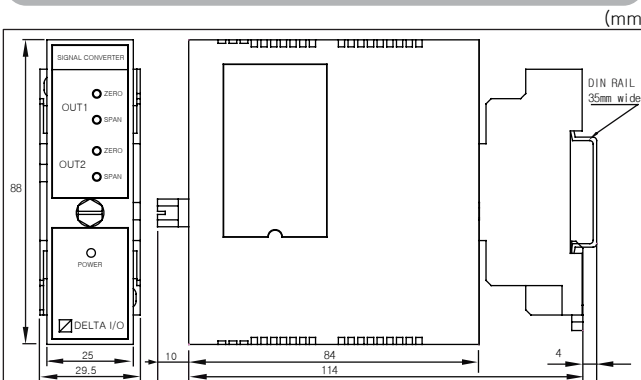
SPECIFICATIONS

ITEMS	DESCRIPTIONS
INPUT SIGNAL	Potentiometer (from 135Ω ~ 10kΩ)
EXCITATION VOLTAGE	Approx. DC 0.5V
OUTPUT SIGNAL	DC CURRENT or DC VOLTAGE
ACCURACY	±0.2% Max.
TEMP. COEFFICIENT	±0.015% / °C
RESPONSE TIME	Less than 100msec (0~90%)
INSULATION RESISTANCE	Greater than 100MΩ at DC 500V (IN - OUTPUT - POWER)
DIELECTRIC - STRENGTH	Power-Input, output1,2 AC 1,500V
	Input-Output1-Output2 AC 1,500V
	Output1-Output2 AC 1,000V
POWER SUPPLY	AC 85 ~ 264V (Rating 100~240V), 50 ~ 60Hz DC24V ± 10%
POWER CONSUMPTION	AC 240V : 3.5VA /1OUT, 4VA /2OUT DC24V : Less than 1W /1OUT, Less than 1.5W /2OUT
AMBIENT - TEMP	-5 ~ +55°C (23 ~ 131 °F)
HUMIDITY	Less than 90% RH (no condensation)
CASE MATERIAL	ABS Resin
COLOR	Black
WEIGHT	About 150g
DIMENSION	W29.5 X H88 X D124mm
MOUNTING	DIN RAIL
CONNECTION	M3 Screw terminal (torque 0.8 N.m)
TERMINAL SCREWS	Chromated steel

OUTPUT LOAD RESISTANCE

OUTPUT SIGNAL	LOAD RESISTANCE
DC 4~20mA	Less than 600Ω
DC 1~5V	More than 2.5KΩ
DC 0~10V	More than 5KΩ

DIMENSION



ORDERING CODE

MODEL : DNPC -

INPUT SIGNAL

POTENTIOMETER
(Total resistance 135Ω ~ 10kΩ)

OUTPUT1 SIGNAL

- | | |
|------------------|------------------|
| 1. 0~1mA DC | A. 0~10mV DC |
| 2. 0~10mA DC | B. 0~100mV DC |
| 3. 0~16mA DC | C. 0~1V DC |
| 4. 0~20mA DC | D. 0~5V DC |
| 5. 1~5mA DC | E. 0~10V DC |
| 6. 2~10mA DC | F. 1~5V DC |
| 7. 4~20mA DC | Z. Other Voltage |
| 0. Other Current | (Less than 12V) |

OUTPUT2 SIGNAL

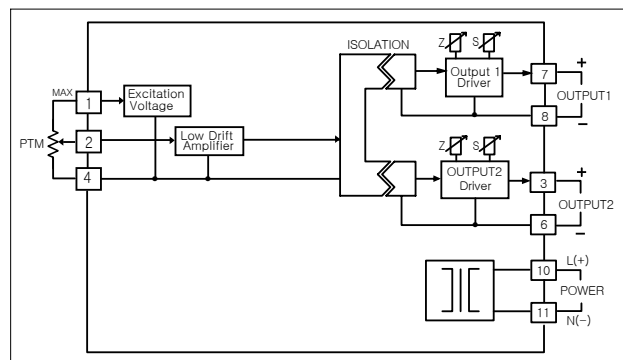
N. None
Same Range Available as OUTPUT 1

POWER SUPPLY

1. AC 85V~264V 2. DC 24V

* Please Specify the Input Range When you Order.

BLOCK DIAGRAM



General Specifications

1&2 OUTPUT PULSE /ANALOG CONVERTER

1&2出力 PULSE/直流 變換器



This instrument is a slim socket type 1 & 2 output pulse to analog converter that converts pulse signals from flow sensors to various DC signals.
The mount method is DIN RAIL mounting.

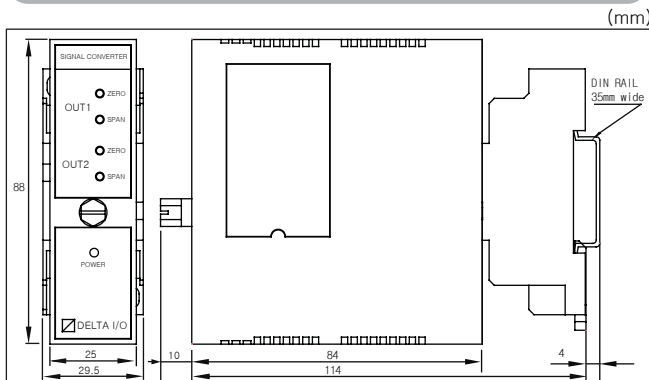
SPECIFICATIONS

ITEMS	DESCRIPTIONS
INPUT SIGNAL	Open collector , Voltage pulse , Others
SENSOR EXCITATION	DC12V / 20mA
OUTPUT SIGNAL	DC Current or DC Voltage signal
ACCURACY	±0.2% Max.
TEMP.COEFFICIENT	±0.01% / °C
RESPONSE TIME	Less than 0.5sec (0~90%)
INSULATION RESISTANCE	Greater than 100MΩat DC 500V Between input - output1 - output2 - power supply
DIELECTRIC - STRENGTH	Power-Input, output1,2 AC 1,500V
	Input-Output1-Output2 AC 1,500V
	Input1-Output2 AC 1,000V
POWER SUPPLY	AC 85 ~ 264V(Rating 100~240V) ,50 ~ 60Hz
POWER CONSUMPTION	AC 240V : 5.5VA /1OUT, 6VA /2OUT
AMBIENT - TEMP	-5 ~ +55°C (23 ~ 131 °F)
HUMIDITY	Less than 90% RH (no condensation)
CASE MATERIAL	ABS Resign
COLOR	Black
WEIGHT	About 160g
DIMENSION	W29.5 X H88 X D124mm
MOUNTING	DIN RAIL
CONNECTION	M3 Screw terminal (torque 0.8 N.m)
TERMINAL SCREWS	Chromated steel

OUTPUT LOAD RESISTANCE

OUTPUT SIGNAL	LOAD RESISTANCE
DC 4~20mA	Less than 640Ω
DC 1~5V	More than 2.5KΩ
DC 0~10V	More than 5KΩ

DIMENSION



ORDERING CODE

MODEL : DNPA - [] [] [] - []

INPUT SIGNAL

- Open collector (Max. Frequency 10KHz)
- Voltage pulse (Max. Frequency 10KHz)
- Others

OUTPUT1 SIGNAL

- | | |
|--------------------------------------|-------------------------------------|
| 1. 0~1mA DC | A. 0~10mV DC |
| 2. 0~10mA DC | B. 0~100mV DC |
| 3. 0~16mA DC | C. 0~1V DC |
| 4. 0~20mA DC | D. 0~5V DC |
| 5. 1~5mA DC | E. 0~10V DC |
| 6. 2~10mA DC | F. 1~5V DC |
| 7. 4~20mA DC | Z. Other Voltage
(Less than 12V) |
| 0. Other Current
(Less than 20mA) | |

OUTPUT2 SIGNAL

- N. None
Same Range Available as OUTPUT 1

POWER SUPPLY

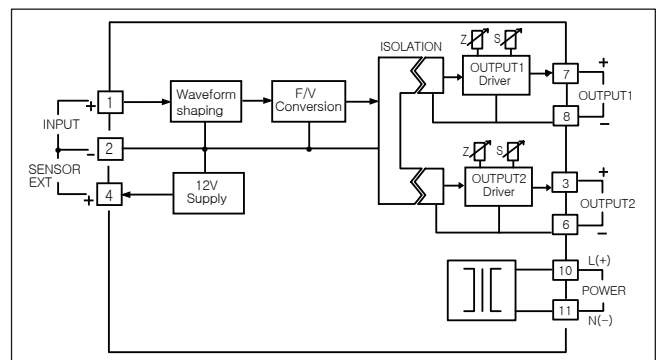
- AC 85V~264V

SENSOR EXCITATION

STANDARD : DC12V

* Please Specify the Input Range When you order.

BLOCK DIAGRAM



General Specifications

1&2 OUTPUT STRAIN GAUGE CONVERTER

1&2出力 Strain gauge 變換器



This instrument is an insulated 1&2 output converter with a slim socket type structure that supplies excitor power to a bridge type sensor such as a pressure sensor and a load cell and converts the output signal into various instrument unified signals.

The mounting method is DIN rail mounting.

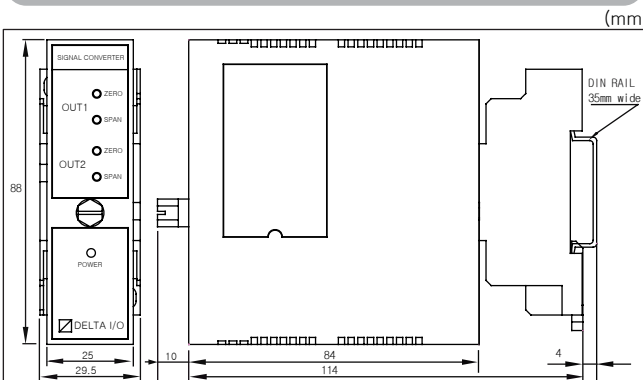
SPECIFICATIONS

ITEMS	DESCRIPTIONS
INPUT SIGNAL	Bridge Resistance 350Ω or more rated output Voltage 2mV/V and other.
EXCITATION VOLTAGE	DC 10V (Standard) / 30mA Max.
OUTPUT SIGNAL	DC CURRENT or DC VOLTAGE
ACCURACY	±0.2% Max.
TEMP. COEFFICIENT	±0.01% / °C
RESPONSE TIME	Less than 50msec (0~90%)
INSULATION RESISTANCE	Greater than 100MΩ at DC 500V (IN - OUTPUT - POWER)
DIELECTRIC - STRENGTH	Power-Input, output1,2 AC 1,500V 1 Minute
	Input-Output1-Output2 AC 1,500V (Cutoff current 1mA)
	Output1-Output2 AC 1,000V
POWER SUPPLY	AC 85 ~ 264V(Rating 100~240V), 50 ~ 60Hz
POWER CONSUMPTION	AC 240V : 5.5VA /10UT, 6VA /20UT
AMBIENT - TEMP	-5 ~ +55°C (23 ~ 131 °F)
HUMIDITY	Less than 90% RH (no condensation)
CASE MATERIAL	ABS Resin
COLOR	Black
WEIGHT	About 160g
DIMENSION	W29.5 X H88 X D124mm
MOUNTING	DIN RAIL
CONNECTION	M3 Screw terminal (torque 0.8 N.m)
TERMINAL SCREWS	Chromated steel

OUTPUT LOAD RESISTANCE

OUTPUT SIGNAL	LOAD RESISTANCE
DC 4~20mA	OUT1 : 640Ω Max. , OUT2 : 600Ω Max.
DC 1~5V	More than 2.5KΩ
DC 0~10V	More than 5KΩ

DIMENSION



ORDERING CODE

MODEL : DNLS - [] [] [] - []

INPUT SIGNAL

- | | |
|------------|------------|
| 1. 1mV / V | 4. 4mV / V |
| 2. 2mV / V | 5. 5mV / V |
| 3. 3mV / V | 6. Others |

OUTPUT1 SIGNAL

- | | |
|------------------|------------------|
| 1. 0~1mA DC | A. 0~10mV DC |
| 2. 0~10mA DC | B. 0~100mV DC |
| 3. 0~16mA DC | C. 0~1V DC |
| 4. 0~20mA DC | D. 0~5V DC |
| 5. 1~5mA DC | E. 0~10V DC |
| 6. 2~10mA DC | F. 1~5V DC |
| 7. 4~20mA DC | Z. Other Voltage |
| 0. Other Current | (Less than 12V) |

OUTPUT2 SIGNAL

- N. None
Same Range Available as OUTPUT 1

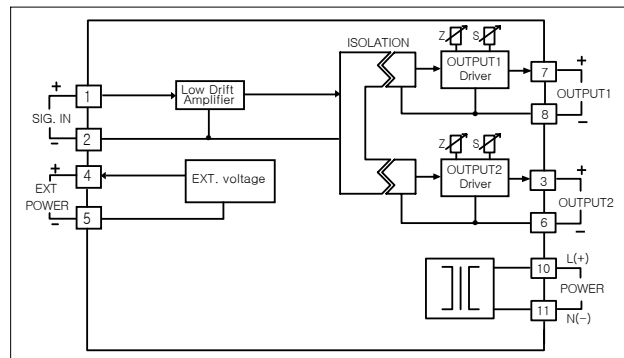
POWER SUPPLY

1. AC 85V~264V

EXCITATION VOLTAGE

STANDARD : DC 10V

BLOCK DIAGRAM



General Specifications

1&2 OUTPUT HIGH SPEED ISOLATOR

1&2出力 高速信號絕緣 變換器



This instrument is a High speed ISOLATOR of the slim socket type 1 & 2 output that converts direct current or DC voltage signals into various isolated DC signals.

This model features a fast response time of 1msec(0~90%). The mounting method is DIN rail mounting.

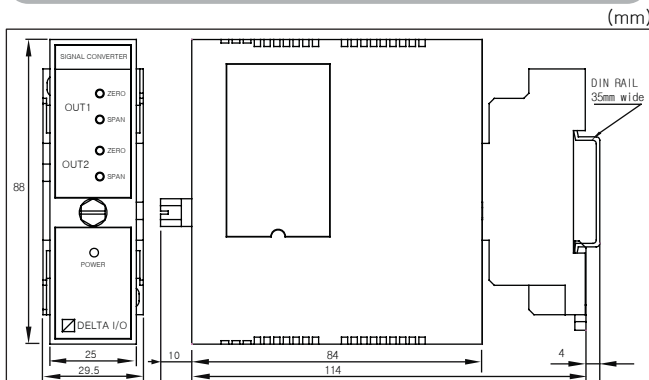
SPECIFICATIONS

ITEMS	DESCRIPTIONS		
INPUT SIGNAL	DC Current or DC Voltage signal		
INPUT RESISTANCE	DC4~20mA : 250Ω, DC1~5V : 1MΩ		
OUTPUT SIGNAL	DC Current or DC Voltage signal		
ACCURACY	±0.2% Max.		
TEMP. COEFFICIENT	±0.01% / °C		
RESPONSE TIME	Less than 1msec (0~90%)		
INSULATION RESISTANCE	Greater than 100MΩ at DC 500V (IN-OUT-POWER)		
DIELECTRIC - STRENGTH	Power-Input, output1,2	AC 1,500V	1 Minute (Cut-off current 1mA)
	Input-Output1-Output2	AC 1,500V	
	Output1-Output2	AC 1,500V	
POWER SUPPLY	AC 85 ~ 264V(Rating 100~240V) ,50 ~ 60Hz		
POWER CONSUMPTION	AC 240V : 5VA /1OUT, 5.5VA /2OUT		
AMBIENT - TEMP	-5 ~ +55°C (23 ~ 131 °F)		
HUMIDITY	Less than 90% RH (no condensation)		
CASE MATERIAL	ABS Resin		
COLOR	Black		
WEIGHT	About 150g		
DIMENSION	W29.5 X H88 X D124mm		
MOUNTING	DIN RAIL		
CONNECTION	M3 Screw terminal (torque 0.8 N.m)		
TERMINAL SCREWS	Chromated steel		

OUTPUT LOAD RESISTANCE

OUTPUT SIGNAL	LOAD RESISTANCE
DC 4~20mA	550Ω Max.
DC 1~5V	More than 2.5KΩ
DC 0~10V	More than 5KΩ

DIMENSION



ORDERING CODE

MODEL : DNHI - [] [] [] - []

INPUT SIGNAL

- | | |
|------------------|-----------------------|
| 1. 0~1mA DC | A. 0~10mV DC |
| 2. 0~10mA DC | B. 0~100mV DC |
| 3. 0~16mA DC | C. 0~1V DC |
| 4. 0~20mA DC | D. 0~5V DC |
| 5. 1~5mA DC | E. 0~10V DC |
| 6. 2~10mA DC | F. 1~5V DC |
| 7. 4~20mA DC | Z. Other Voltage |
| 0. Other Current | (Input voltage range) |

OUTPUT1 SIGNAL

- | | |
|------------------|------------------|
| 1. 0~1mA DC | A. 0~10mV DC |
| 2. 0~10mA DC | B. 0~100mV DC |
| 3. 0~16mA DC | C. 0~1V DC |
| 4. 0~20mA DC | D. 0~5V DC |
| 5. 1~5mA DC | E. 0~10V DC |
| 6. 2~10mA DC | F. 1~5V DC |
| 7. 4~20mA DC | Z. Other Voltage |
| 0. Other Current | (Less than 12V) |

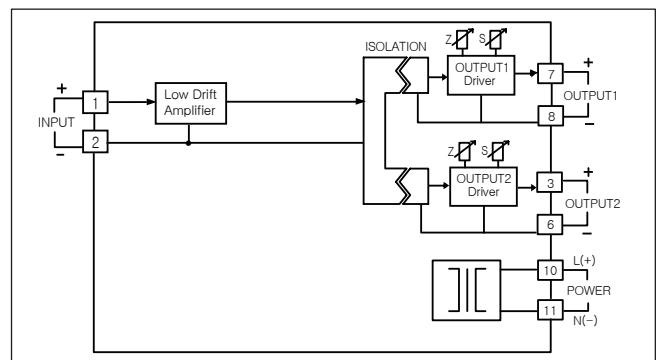
OUTPUT2 SIGNAL

- N. None
Same Range Available as OUTPUT 1

POWER SUPPLY

1. AC 85V~264V

BLOCK DIAGRAM



General Specifications

1&2 OUTPUT AC CURRENT TRANSDUCER

1&2出力 交流電流 變換器



This instrument is a slim-socket type AC CURRENT TRANSDUCER that calculates the alternating current as an input and converts it into a DC signal and provides isolated 1&2 output. The mounting method is DIN rail mounting.

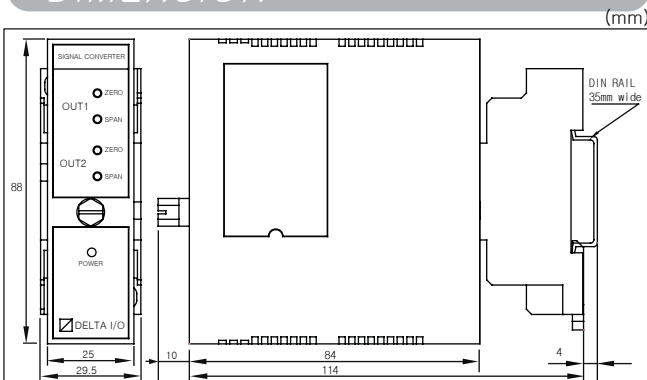
SPECIFICATIONS

ITEMS	DESCRIPTIONS
Rhange of products available	Within the range between AC 0~5A
OVERLOAD CAPACITY	120% Continuous
OUTPUT	DC Current or DC Voltage signal
ACCURACY	±0.3% Max.
TEMP. COEFFICIENT	±0.015% / °C
RESPONSE TIME	Less than 0.5Sec (0~90%)
INSULATION RESISTANCE	Greater than 100MΩ at DC 500V (IN-OUT-POWER)
DIELECTRIC - STRENGTH	Power-Input, Output1,2 AC 1,500V 1 Minute
	Input-Output1-Output2 AC 1,500V (Cutoff current
	Output1-Output2 AC1,000V 1mA)
POWER SUPPLY	AC 85~264V(Rating 100~240V), 50~60Hz DC 24V ±10%
POWER CONSUMPTION	AC240V : 1output 3.5VA DC24V : less than 1W /1out, less than 1.5W /2out
AMBIENT - TEMP	-5 ~ +55°C (23 ~ 131 °F)
HUMIDITY	Less than 90% RH (no condensation)
CASE MATERIAL	ABS Resin
COLOR	Black
WEIGHT	About 170g
DIMENSION	W29.5 X H88 X D124mm
MOUNTING	DIN RAIL
CONNECTION	M3 Screw terminal (torque 0.8 N.m)
TERMINAL SCREWS	Chromated steel

OUTPUT LOAD RESISTANCE

OUTPUT SIGNAL	LOAD RESISTANCE
DC 4~20mA	600Ω Max.
DC 1~5V	More than 2.5KΩ
DC 0~10V	More than 5KΩ

DIMENSION



ORDERING CODE

MODEL : DNCT -

INPUT SIGNAL

1. AC 0 ~ 1A (50/60Hz)
2. AC 0 ~ 5A (50/60Hz)
3. Other Current by specified

OUTPUT1 SIGNAL

- | | |
|------------------|------------------|
| 1. 0~1mA DC | A. 0~10mV DC |
| 2. 0~10mA DC | B. 0~100mV DC |
| 3. 0~16mA DC | C. 0~1V DC |
| 4. 0~20mA DC | D. 0~5V DC |
| 5. 1~5mA DC | E. 0~10V DC |
| 6. 2~10mA DC | F. 1~5V DC |
| 7. 4~20mA DC | Z. Other Voltage |
| 0. Other Current | (Less than 12V) |

OUTPUT2 SIGNAL

- N. None
Same Range Available as OUTPUT1

POWER SUPPLY

1. AC 85V~264V
2. DC24V

OPTION

- R. RMS Sensing
Blank. Average sensing, RMS calibrated

* DC 24V POWER : RMS Sensing only

* AC 85~264V POWER : Output1 only

BLOCK DIAGRAM

