

SLIM TYPE UNIVERSAL SIGNAL CONVERTER

DK-SERIES

■ FEATURE

- Multi input (T/C, RTD, DC V, DC mA, 2wire 4~20mA)
- 1&2 Isolated output
- 2Point Alarm output
- 7Segment LED display
- Input/output Scale function
- Square root, peak holder, Signal limit function
- Free voltage power (AC85~264V)
- CE Approved



Contents

	ITEMS	MODEL	PAGE
1	SLIM TYPE UNIVERSAL SIGNAL CONVERTER	DK	136

General Specifications

SLIM TYPE UNIVERSAL SIGNAL CONVERTER



The product DK-Series which sees T/C, RTD, and DC Voltage and electric current, etc. receives the input signal of the form which is various and was insulated is known but analog 2 output, 2Point Alarm output and they are multi function high skill universal signal converters which have RS-485 communication functions.

- * 7Segment LED Display
- * IN/OUTPUT Scaling Function
- * Square Root, Peak Holder, Signal Limit Function
- * Free Voltage (AC85~264V, 50~60Hz)

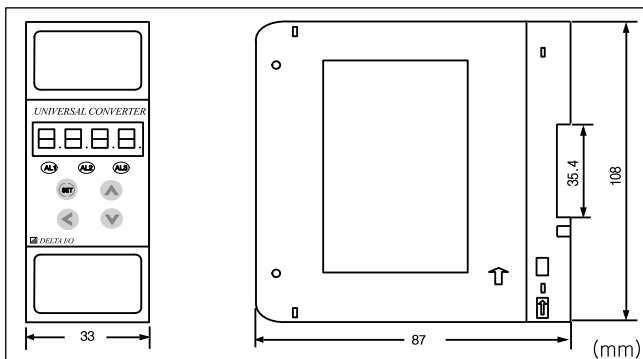
SPECIFICATIONS

ITEMS	DESCRIPTIONS
INPUT	MULTI INPUT (T/C, RTD, mV, V, mA, X' TR)
SUPPLY CURRENT TO Pt BULB	DC 200uA
RTD Max. Lead Resistance	Less than 10Ω
OUTPUT	DC Current or DC Voltage signal Relay contact (AC125V/ 5A, DC30V/ 1A)
ACCURACY	T/C TYPE : ±0.25% of Full Scale RTD TYPE : ±0.2% of Full Scale DC TYPE : ±0.1% of Full Scale
TEMP. COEFFICIENT	±0.02% / °C
OUTPUT RATING SUPPLY TO X' TR	DC 24V 30mA or Less
BURN OUT	Specify any of up scale or down scale
DISPLAY	-9999 ~ 9999 7 Segment LED 4 digit
CJC - TEMPERATURE COMPENSATION ERROR	Within ±1.0°C (from 0°C~50°C)
INSULATION RESISTANCE	Greater than 100MΩ at DC 500V
DIELECTRIC - STRENGTH	Input - Output, Power AC 1,000V
	Output - Power AC 1,000V
	Input1 - Output2 AC 500V
POWER SUPPLY	AC 85~264V, 50~60Hz(Rating 100~240V), Less than 7VA
AMBIENT - TEMP	-5 ~ +55°C (23 ~ 131 °F)
HUMIDITY	Less than 90% RH (no condensation)
CASE MATERIAL	ABS
COLOR	Black
WEIGHT	About 300g
DIMENSION	W33X H108 X D87mm
MOUNTING	DIN RAIL

OUTPUT LOAD RESISTANCE

OUTPUT SIGNAL	LOAD RESISTANCE
DC 4~20mA	Less than 600Ω
DC 1~5V	More than 2.5KΩ

DIMENSION



ORDERING CODE

MODEL : DK -

INPUT SIGNAL

Multi Input
T/C, RTD, DC(mV, V, mA)
4~20mA (DC24V)

OUTPUT1 SIGNAL

7. 4~20mA DC C. 0~1V DC
D. 0~5V DC E. 0~10V DC
F. 1~5V DC N. None

OUTPUT2 SIGNAL

1. RS485(Modbus RTU)
N. None
Same Range Available as OUTPUT 1

OUTPUT3 SIGNAL

1. H
3. L
N. None

OUTPUT4 SIGNAL

1. H
3. L
N. None

POWER SUPPLY

1. AC 85V~264V
* Avable Analog Output 2signal if not used RS - 485 Communications

BLOCK DIAGRAM

